

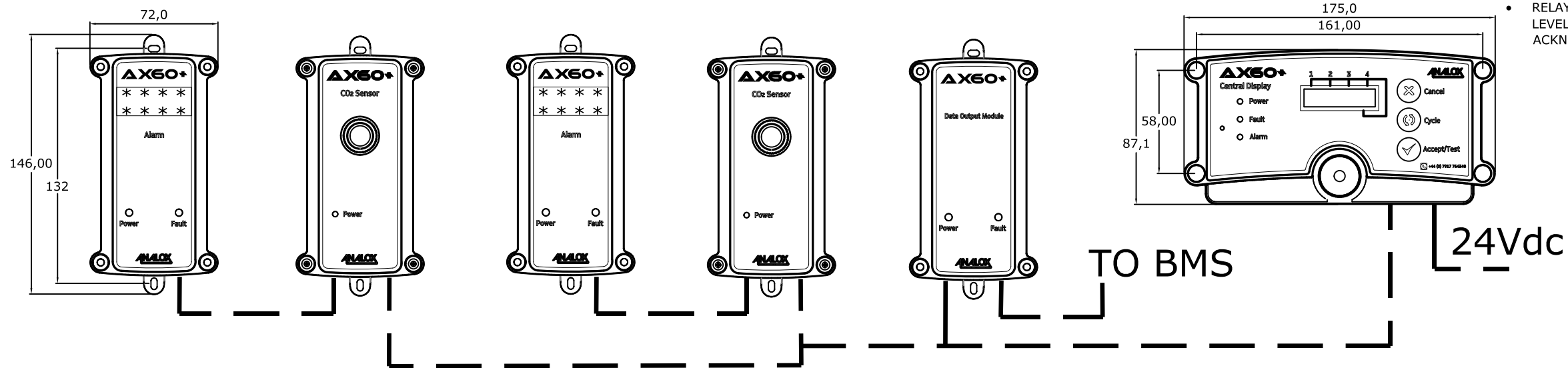
ALARM(s):
 1. DRILL HOLES AND THEN FIT WALL PLUGS/DOWELS USING THE PROVIDED TEMPLATE (ALARMS SHOULD IDEALLY BE LOCATED AT THE ENTRANCES TO THE DANGER AREA WHERE VISIBILITY IS NOT OBSCURED. REFER TO YOUR OWN RISK ASSESSMENT FOR BEST LOCATION).
 2. FIT THE ALARM BASE TO WALL IN REQUIRED LOCATION.
 3. INSTALL REQUIRED CABLES AND CUT TO LENGTH, CONNECT TO PCB.
 4. AFFIX THE AX60+ ALARM SIGN ADJACENT TO THE ALARM(s)

SENSOR(s):
 1. DRILL HOLES AND THEN FIT WALL PLUGS/DOWELS USING THE PROVIDED TEMPLATE AT A HEIGHT OF 12" (305mm) AFF.
 2. REMOVE SENSOR LID
 3. FIT THE SENSOR BASE TO WALL IN REQUIRED LOCATION
 4. INSTALL REQUIRED CABLES AND CUT TO LENGTH, CONNECT TO PCB.
 5. REFIT SENSOR LID AND SECURE IN PLACE WITH PROVIDED LID FIXING SCREWS.

CENTRAL UNIT:
 1. DRILL HOLES AND THEN FIT WALL PLUGS/DOWELS USING THE PROVIDED TEMPLATE.
 2. INSTALL REQUIRED CABLES AND CUT TO LENGTH, CONNECT TO PCB, FEED CABLES THROUGH DESIRED ENTRY POINT.
 3. FIT AND SECURE THE LID IN PLACE AND THEN FIT CENTRAL UNIT TO WALL IN A "NORMALLY ATTENDED LOCATION".
 4. AFFIX AX60+ "WHAT TO DO SIGN" ADJACENT TO THE CENTRAL UNIT

ALARM & RELAY DETAIL:

- ALARM LEVEL (1) IS 0.5% (5,000PPM) TWA, DISPLAYED AS TWA
- ALARM LEVEL (2) IS 1.5%* (15,000PPM), DISPLAYED AS AL1 (STROBES FLASH) ***(THIS LEVEL CAN BE CHANGED TO (5,000PPM))**
- ALARM LEVEL (3) IS 3.0% (30,000PPM), DISPLAYED AS CO2 (STROBES FLASH/HORNS SOUND)
- ALARM LEVEL (4) IS USED FOR O2 SENSOR
- ALARM LEVEL (2) - RELAY (1) ENERGIZES
- ALARM LEVEL (3) - RELAY (2) ENERGIZES
- RELAY'S (1) AND (2) REMAIN ENERGIZED, AND ONLY DE-ENERGIZE WHEN GAS LEVEL IS BELOW RESPECTIVE ALARM LEVELS **AND** ALARMS ARE ACKNOWLEDGED AND RESET (SEE "WHAT TO DO IN CASE OF ALARM" SIGN).



ALARM/STROBE

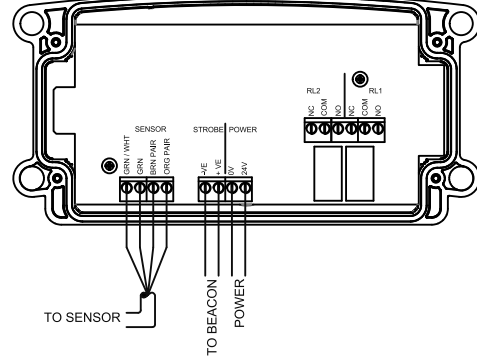
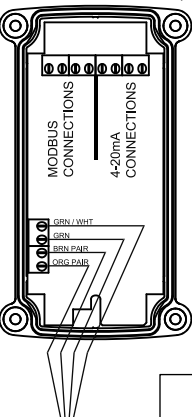
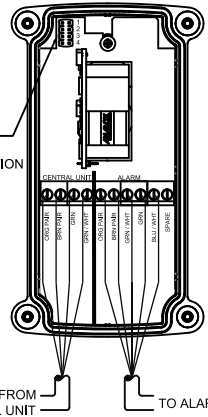
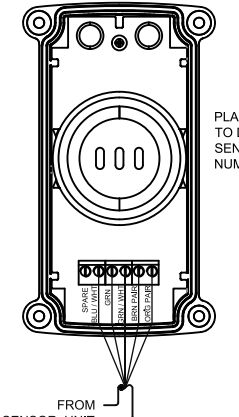
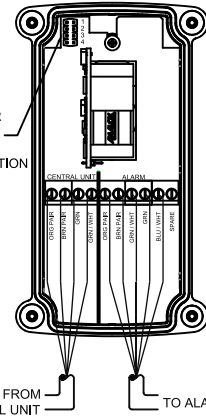
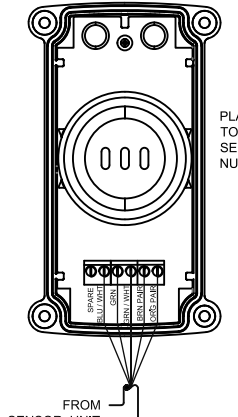
CO2 SENSOR

ALARM/STROBE

CO2 SENSOR

DOM (DIGITAL OUTPUT MODULE, 4-20MA OR MODBUS RTU)

CENTRAL DISPLAY



AX60+ Safety System
 WHAT TO DO IN CASE OF ALARM

1) Hold *Accept/Test* button until audio alarms are silenced, if safe to do so.
 2) Check table below to determine cause of action.

UNIT INDICATION	CAUSE	ACTION
OK *AL3 --- --- CO2 23.0 %	LOLO/HHI ALARM Dangerous gas levels caused by leakage	DO NOT ENTER the risk zone! Evacuate the area Call and inform the following Tel No:----- Ensure, to the extent possible, that there is ventilation from the outside.
*AL1 OK --- --- CO2 15000 PPM	LO/HI ALARM Approaching dangerous gas levels caused by leakage	A service technician should enter the indicated area ONLY under the supervision of another person. Close all CO2 containers. Remedy leak. Open doors and windows as much as possible.
*TWA OK --- --- CO2 5850 PPM	TWA ALARM A small CO2 leak that has lasted for over 8 hours	Open doors and windows as much as possible. Remedy leak. If the leak is not found, contact service on Tel No:-----
*FLT FLT --- --- SNR 1 COMMS FLT	SYSTEM FAULT	Tel No:----- Call service Provide information displayed on units screen. Fault LED flashing.

3) Press *Cycle* until the asterisk is located next to the sensor you wish to acknowledge.
 4) Hold *Accept/Test* button until unit beeps to cancel the alarm.
 5) System will return to OK when safe levels are reached.

Sensor ID	Gas Type	Location
1		
2		
3		
4		

System Test
 Hold *Accept/Test* button until "TESTING ALARM" appears.
 All alarms should flash & sound for 5 seconds.

www.analoxsensortechnology.com

WHAT TO DO IN CASE OF ALARM
 SIGN INCLUDED WITH CENTRAL DISPLAY

WARNING

CO₂ Alert

If siren sounds AND light flashes:
 1. Evacuate building immediately
 2. Notify management

If light ONLY is flashing:
 1. Ventilate and leave area
 2. Notify management

ANALOX P0148-413-00

WARNING

CO₂ Alert

If siren sounds AND light flashes:
 1. Evacuate building immediately
 2. Notify management

If light ONLY is flashing:
 1. Ventilate and leave area
 2. Notify management

ANALOX P0148-413-00

INTERNATIONAL CO2 SAFETY STANDARDS MET OR EXCEEDED BY THE ANALOX AX60+:

CE, EN50270, IEC 61010 (UL), DIN 6653 (TUV)
 IFC SECTION 916 2018, NFPA 55 - CHAPTER 1-7 & 13
 NBIC PART 1 - SUPPLEMENT 3
 CGA G-6, G-6.2 AND G-6.5 (STANDARDS RECOMMENDATIONS)

2018 IFC 5307.3.2
 CARBON DIOXIDE SENSORS SHALL BE PROVIDED WITHIN 12 INCHES (305 MM) OF THE FLOOR IN THE AREA WHERE THE GAS IS EXPECTED TO ACCUMULATE OR OTHER APPROVED LOCATIONS.
 THE SYSTEM SHALL BE DESIGNED AS FOLLOW:
 1. ACTIVATES AN AUDIBLE AND VISIBLE SUPERVISORY ALARM AT A NORMALLY ATTENDED LOCATION UPON DETECTION OF A CARBON DIOXIDE CONCENTRATION OF 5,000 PPM.
 2. ACTIVATES AN AUDIBLE AND VISIBLE ALARM WITHIN THE ROOM OR IMMEDIATE AREA WHERE THE SYSTEM IS INSTALLED UPON DETECTION OF A CARBON DIOXIDE CONCENTRATION OF 30,000 PPM.

COMMERCIAL IN CONFIDENCE **Design Released**

ANALOX LTD.
 UK ADDRESS: 15 ELLERBECK COURT., STOKESLEY, NORTH YORKSHIRE, TS9 5PT, UK
 USA ADDRESS: 15121 GRAHAM STREET #B106, HUNTINGTON BEACH, CALIFORNIA, 92649
 TEL UK: +44 1642 711400, TEL US: (714) 891 4478
 EMAIL UK: analoxast@analox.net, EMAIL USA: ussales@analox.biz

ANALOX

www.analoxsensortechnology.com

The contents of this drawing are Copyright and are not to be disclosed to a third party without written permission from Analox.

SPECIAL INSTRUCTION: N/A

MATERIAL: N/A

FINISH: N/A

TITLE: ANALOX Ax60+ CO2 VARIANT

DOCUMENT CLASSIFICATION: -

SUPPLEMENTARY TITLE: PRODUCT INFORMATION

DOC. TYPE: -

DWG NO. P0159-4170

DO NOT SCALE DRAWING

REVISION: 01

SHEET 1 OF 1

REV TABLE

REV	NOTES	DCN	DRWN	CHKD	CHKD DATE	APPD BY	APPV REF	APPD DATE
01	Updated as per SC comments from email	N/A	PJO	PLC	20/03/2019	-	-	-
00	Original Issue	N/A	PJO	PLC	09/01/2019	-	-	-
-	-	-	-	-	-	-	-	-
-	-	-	-	-	-	-	-	-
-	-	-	-	-	-	-	-	-